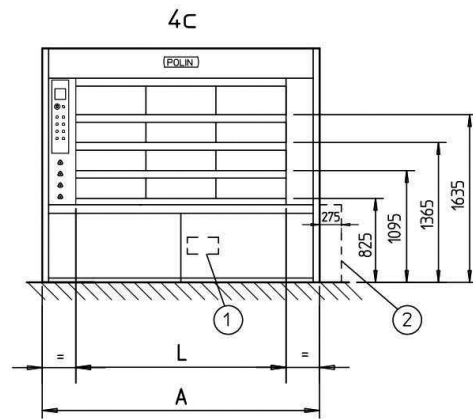
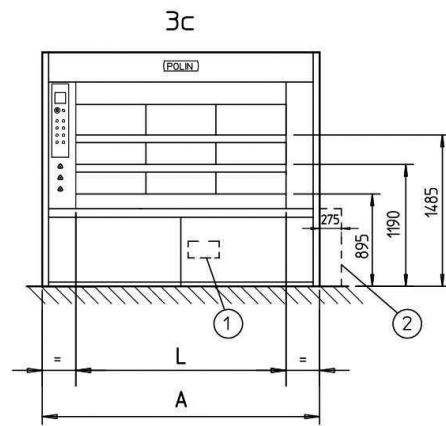
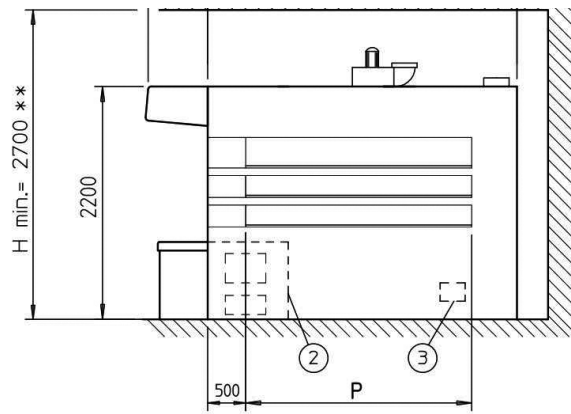


TV DRAGO



- Steamer for each deck
- Hood with exhaust fan
- Double speed exhausting hood (width 186 - 248)
- Steam generators control by electrovalve with timer (SIMPLE excluded)
- Fumes chimney with manual shutter
- Safety thermostat
- Emergency wood body furnace frontal
- Baking plates in "armored concrete"
- Doors with low emission dismountable glass
- Automatic start (excluding SIMPLE)
- Baking timer (excluding SIMPLE)

Power inlet	400/3N~/50
Water inlet	Diameter 1/2" GAS
Steamer drain	Diameter 1" GAS
Steam chimney with hood with fan	Diameter 200÷250 mm
Steam chimney with condensing unit (optional)	Diameter 250 mm
Steam chimney (without hood)	Diameter 200 mm



	Chambers	Baking Surface	Dim.	Useful dimension chambers					Installed power		Minimum door width	Weight
				Length	Height				Thermic	Electrical		
	n°	mq	B mm	P mm	1°mm	2°mm	3°mm	4°mm	kcal/h	kW	mm	kg
6,3 / 124x170-3	3	6,3	2575	1700	200	200	250	-	65.000			5.850
8,4 / 124x170-4	4	8,4	2575	1700	170	170	170	250	70.000			6.500
8,0 / 124x214-3	3	8,0	3015	2140	200	200	250	-	70.000			6.850
10,6 / 124x214-4	4	10,6	3015	2140	170	170	170	250	75.000	1,0	650x1700	7.600
9,6 / 124x258-3	3	9,6	3455	2580	200	200	250	-	73.000			7.830
12,8 / 124x258-4	4	12,8	3455	2580	170	170	170	250	80.000			8.700
9,4 / 186x170-3	3	9,4	2575	1700	200	200	250	-	78.000			6.750
12,5 / 186x170-4	4	12,5	2575	1700	170	170	170	250	80.000			7.750
12,0 / 186x214-3	3	12,0	3015	2140	200	200	250	-	85.000	1,2	650x1700	7.850
16,0 / 186x214-4	4	16,0	3015	2140	170	170	170	250	93.000			8.950
14,0 / 186x258-3	3	14,0	3455	2580	200	200	250	-	90.000			8.950
19,0 / 186x258-4	4	19,0	3455	2580	170	170	170	250	96.000			10.330
12,6 / 248x170-3	3	12,6	2575	1700	200	200	250	-	85.000			7.700
16,8 / 248x170-4	4	16,8	2575	1700	200	200	200	250	96.000			8.900
16,0 / 248x214-3	3	16,0	3015	2140	200	200	250	-	98.000	1,2	650x1700	8.770
21,2 / 248x214-4	4	21,2	3015	2140	200	200	200	250	115.000			10.200
19,2 / 248x258-3	3	19,2	3455	2580	200	200	250	-	105.000			9.760
25,6 / 248x258-4	4	25,6	3455	2580	200	200	200	250	125.000			11.500